

HEAVY DUTY SERIE

- ▣ ROBUST OG ALLSIDIG MASKIN
- ▣ ENKEL I BRUK OG ENKELT VEDLIKEHOLD
- ▣ ARBEIDER RASKT
- ▣ STOR TREKK-KAPASITET (OPPTIL 20T)
- ▣ PASSER FOR JORDBRUK
- ▣ LØFTEVINKEL: 144°

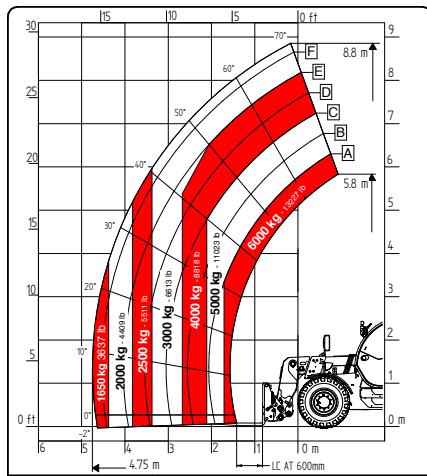


NO SERIE V

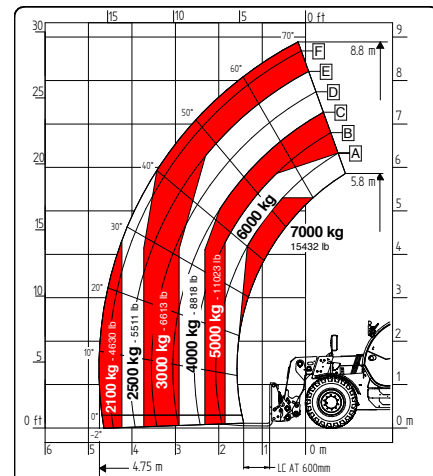


TECHNICAL SHEET

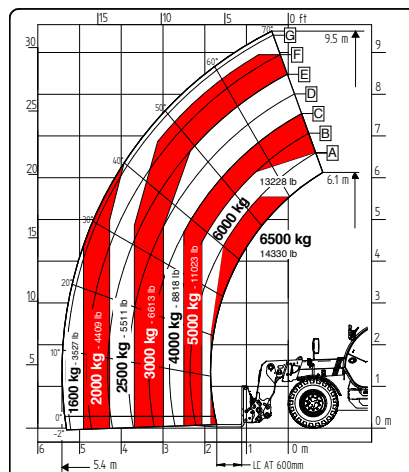
LOAD DIAGRAMS



9.60



9.70



10.65



FARESIN INDUSTRIES SPA
HEADQUARTERS
 Via dell'Artigianato, 36
 36042 Breganze (Vicenza), Italy
 Tel. + 39 0445 800300
 faresin@faresin.com

FARESIN DEUTSCHLAND GMBH
 Steinach B.R. - an der
 Frankenhoehe 1
 91605 Gallmershagen, Germany
 Tel. +49 9843 9802828
 lager@faresin.de

FARESIN DEUTSCHLAND
NORD GMBH
 Wissmannstr. 59
 27755 Delmenhorst, Germany
 info@faresin-nord.de

FARESIN POLAND SP. Z O.O.
 ul. Szosa Chelmińska 172/1a
 87-100 Toruń, Polska
 Tel. +48 54 234 06 72
 poland@faresin.com

FARESIN FRANCE
 13 Avenue d'Albigny
 74000 Annecy, France
 Tel. + 33 9 67 12 30 61
 france@faresin.com

It brings to the attention of all potential customers, all recipients, and to the maximum extent possible, external interlocutors, that Faresin Industries S.p.A. adopts a general Disclaimer regarding the description of the technical and functional characteristics of its machineries, as well as the manner of their use, also with regard to their safety. The Disclaimer must be understood as having a general scope, and therefore Faresin Industries s.p.a. invites to know it, also by accessing the website: www.faresinindustries.com



FARESIN.COM