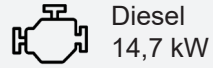




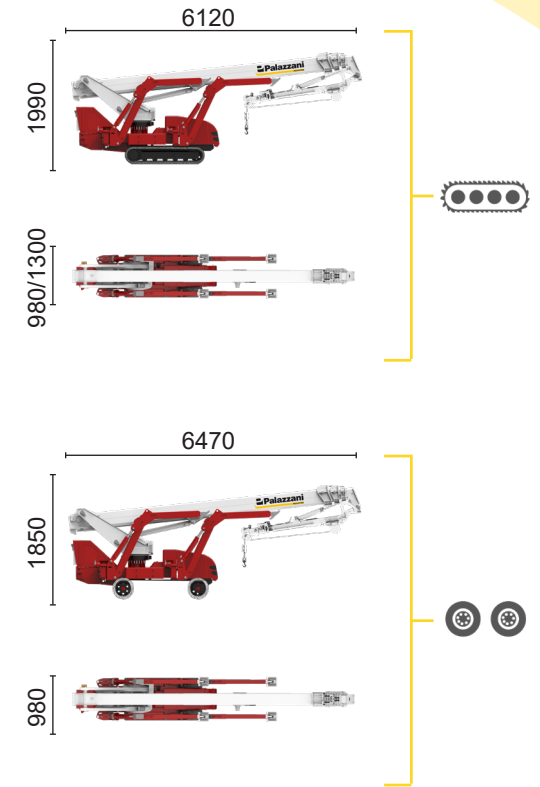
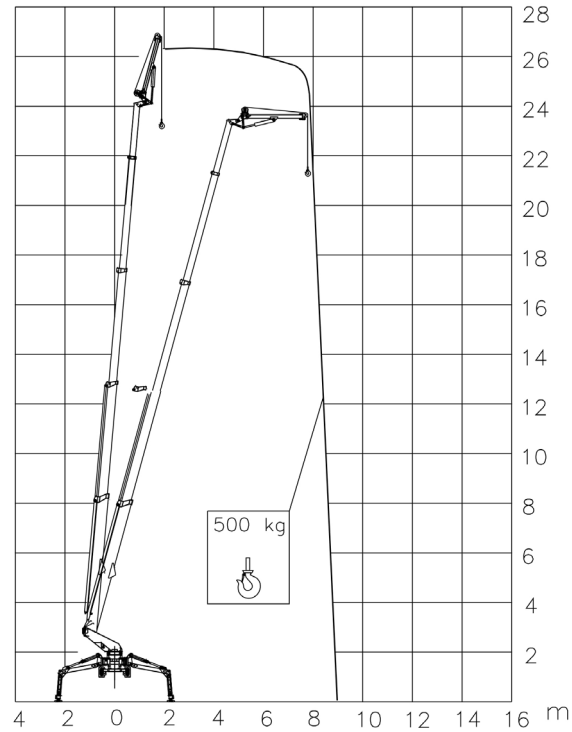
BI-ENERGY



Diesel
14,7 kW



Single-phase
Electric motor
230VAC - 2,2 kW



TSJ 27/C		25,5 m	9 m	500 kg	660°	180x70 cm	90°+80°	2,86-4,79 m	44%	42%	1,2 km/h	4455 kg	29 kN	1,94 kN/m ²	4,16 kN/m ²
TSJ 27/R		25,5 m	9 m	500 kg	660°	180x70 cm	90°+80°	2,86-4,79 m	44%	29%	1,7 km/h	4700 kg	29 kN	1,99 kN/m ²	4,04 kN/m ²

Available power options:

- BI-ENERGY** (DIESEL+AC)
- ECO** (AC+BATTERY)
- HYBRID** (DIESEL+AC+BATTERY)


Characteristics and technical data are informative only and subjected to change without notice.


Palazzani Industrie S.p.A.
Via del Pavione, 4 - 25050 - Paderno F.C. (BS) - Italy
Tel. (+39) 0306857073
info@palazzani.it
www.palazzani.it

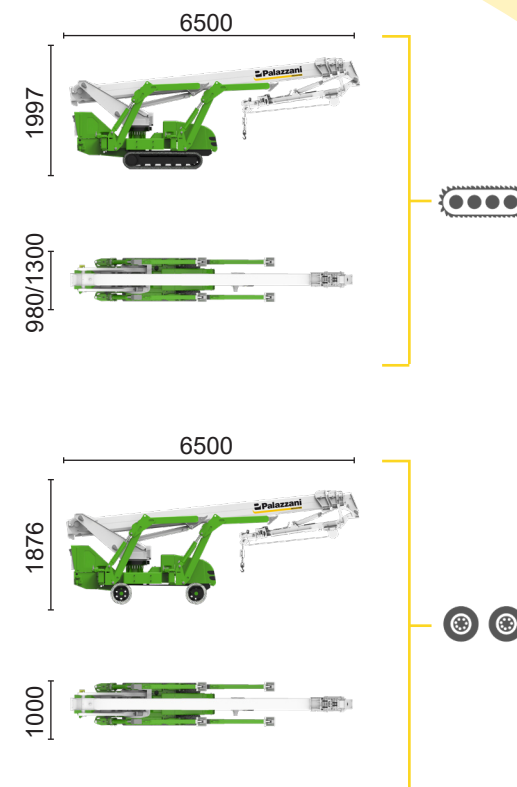
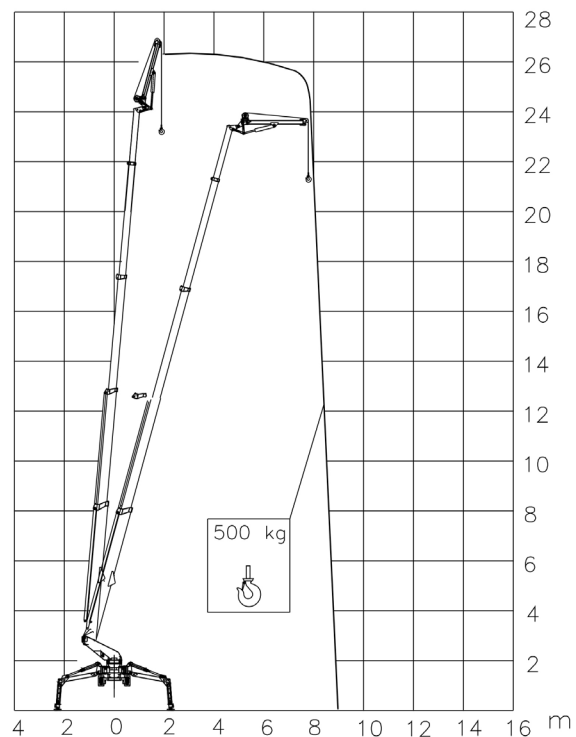






ECO

 Single-phase Electric motor

 Lithium iron phosphate battery LiFePO4



TSJ 27/C		25,5 m	9 m	500 kg	660°	180x70 cm	90°+80°	2,86-4,79 m	44%	42%	1,2 km/h	4455 kg	29 kN	1,94 kN/m ²	4,16 kN/m ²
TSJ 27/R		25,5 m	9 m	500 kg	660°	180x70 cm	90°+80°	2,86-4,79 m	44%	29%	1,2 km/h	4700 kg	29 kN	1,99 kN/m ²	4,04 kN/m ²

Available power options:

- BI-ENERGY** (DIESEL+AC)
- ECO** (AC+BATTERY)
- HYBRID** (DIESEL+AC+BATTERY)




Characteristics and technical data are informative only and subjected to change without notice.

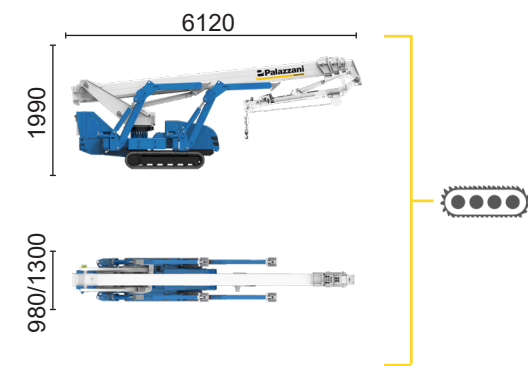
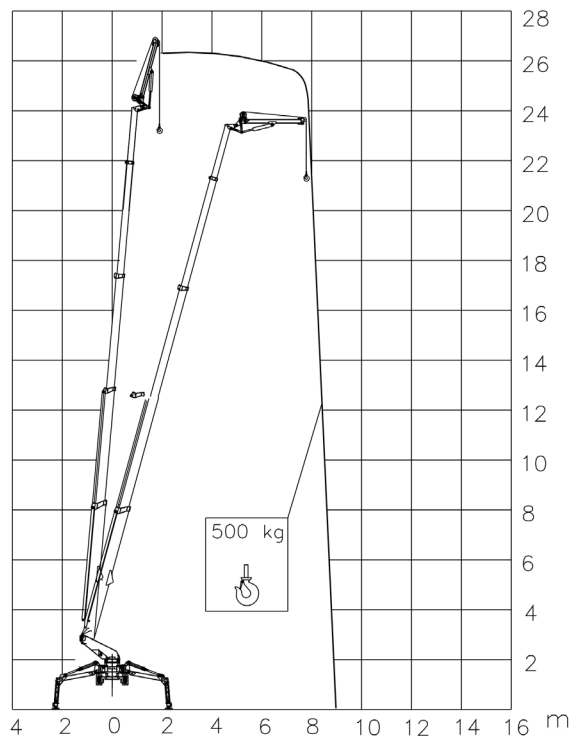
Palazzani Industrie S.p.A.
Via del Pavione, 4 - 25050 - Paderno F.C. (BS) - Italy
Tel. (+39) 0306857073
info@palazzani.it
www.palazzani.it









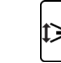











HYBRID²

-  Diesel
14,7 kW
-  Single-phase
Electric motor
230VAC - 5,5kW
-  Lithium iron
phosphate battery
LiFePO4
48V - 210Ah



TSJ 27/C																
		25,5 m	9 m	500 kg	660°	180x70 cm	90°+80°	2,86-4,79 m	44%	42%	1,2 km/h	4950 kg	29 kN	2,1 kN/m ²	4,49 kN/m ²	

Available power options:

- BI-ENERGY** (DIESEL+AC)
- ECO** (AC+BATTERY)
- HYBRID²** (DIESEL+AC+BATTERY)

Characteristics and technical data are informative only and subjected to change without notice.

Palazzani Industrie S.p.A.
Via del Pavione, 4 - 25050 - Paderno F.C. (BS) - Italy
Tel. (+39) 0306857073
info@palazzani.it
www.palazzani.it

