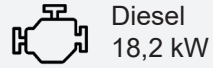




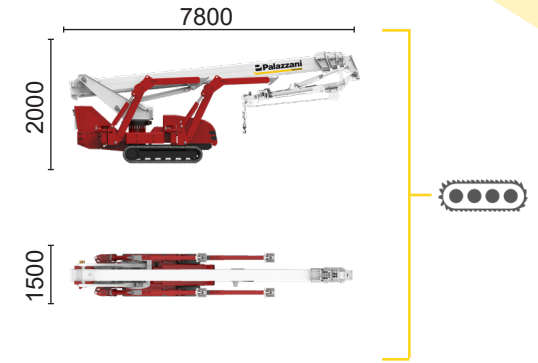
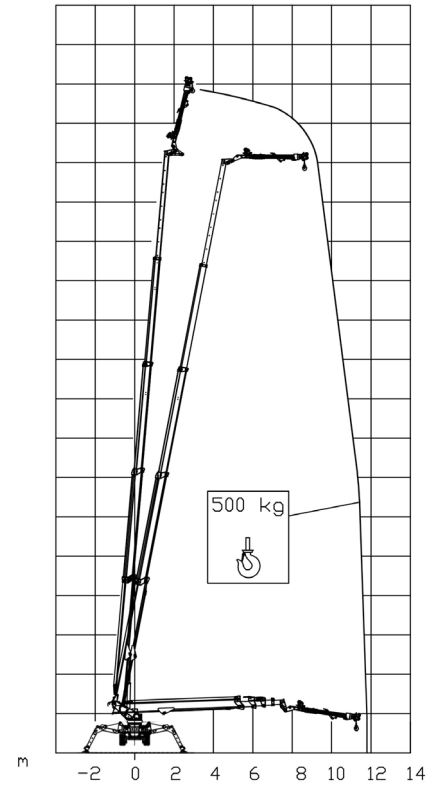
BI-ENERGY




Diesel
18,2 kW



Single-phase
Electric motor
230VAC - 3 kW



TSJ 35.1/C  33,7 m 11,8 m 500 kg 660° 180x70 cm 90°+80° 2,68-5,26 m 23% 36% 1,8 km/h 7100 kg 47 kN 2,44 kN/m² 5,06 kN/m²

Available version:

BI-ENERGY (DIESEL+AC)

ECO (AC+BATTERY)

Characteristics and technical data are informative only and subjected to change without notice.

Palazzani Industrie S.p.A.

Via del Pavione, 4 - 25050 - Paderno F.C. (BS) - Italy

Tel. (+39) 0306857073

info@palazzani.it

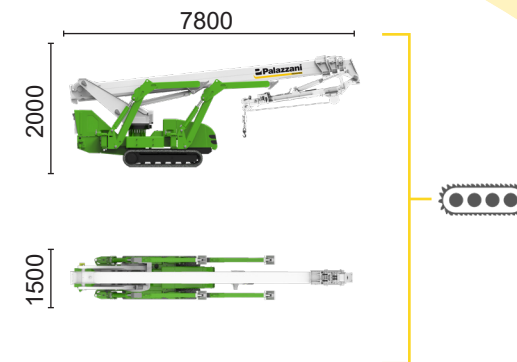
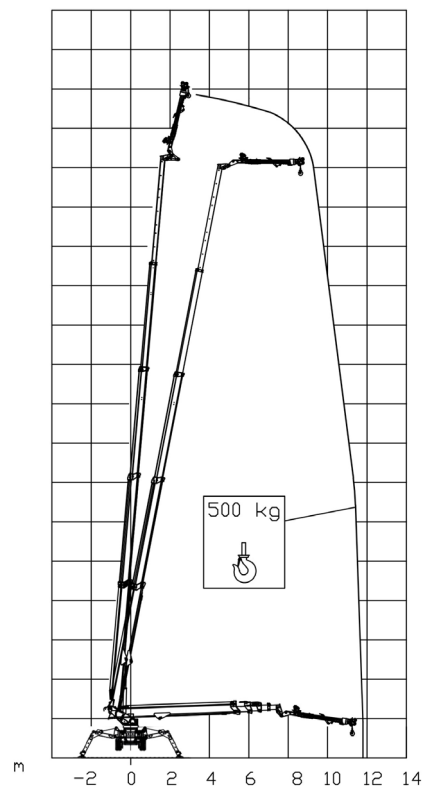
www.palazzani.it





ECO

- Single-phase Electric motor
230 VAC - 16 kW
- Lithium iron phosphate battery
LiFePO4
48 V - 330 Ah
- Type 2 plug charge



TSJ 35.1/C															
		33,7 m	11,8 m	500 kg	660°	180x70 cm	90°+80°	2,68-5,26 m	23%	36%	1,8 km/h	7100 kg	47 kN	2,44 kN/m ²	5,06 kN/m ²

Available version:

BI-ENERGY (DIESEL+AC)

ECO (AC+BATTERY)

Characteristics and technical data are informative only and subjected to change without notice.

Palazzani Industrie S.p.A.

Via del Pavione, 4 - 25050 - Paderno F.C. (BS) - Italy

Tel. (+39) 0306857073

info@palazzani.it

www.palazzani.it

