
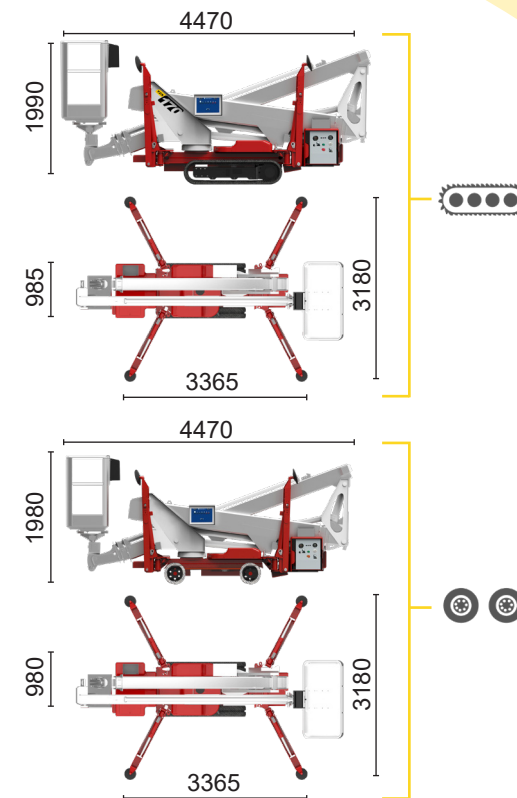
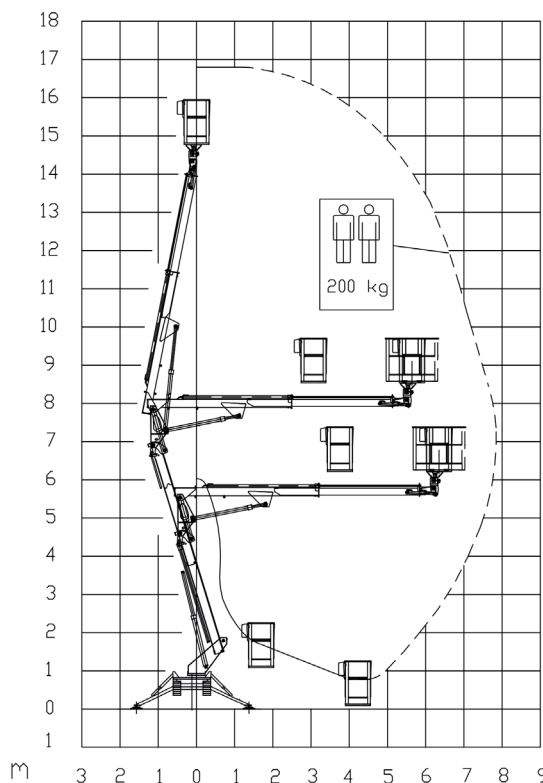
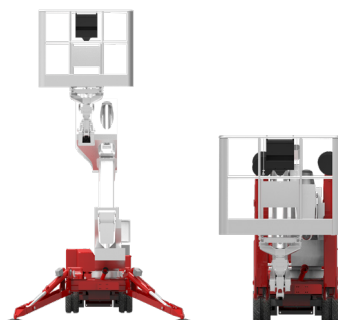






BI-ENERGY

 Diesel
10,6 kW

 Single-phase
Electric motor
230VAC - 2,2 kW



Model	Power	Height (m)	Reach (m)	Load (kg)	Rotation (°)	Dimensions (cm)	Angles (°)	Height (m)	Slope (%)	Speed (km/h)	Weight (kg)	Force (kN)	Pressure (kN/m²)	Pressure (kN/m²)
TZX 170/C		17 m	7,8 m	200 kg	360°	140x70 cm	90°+90°	3,18 m	18%	31%	2000 kg	13 kN	1,87 kN/m²	3,2 kN/m²
TZX 170/R		17 m	7,8 m	200 kg	360°	140x70 cm	90°+90°	3,18 m	18%	25%	2000 kg	13 kN	1,87 kN/m²	3,2 kN/m²

Available power options:

BI-ENERGY (DIESEL+AC)

ECO (AC+BATTERY)

Characteristics and technical data are informative only and subjected to change without notice.

Palazzani Industrie S.p.A.

Via del Pavione, 4 - 25050 - Paderno F.C. (BS) - Italy

Tel. (+39) 0306857073


info@palazzani.it


www.palazzani.it

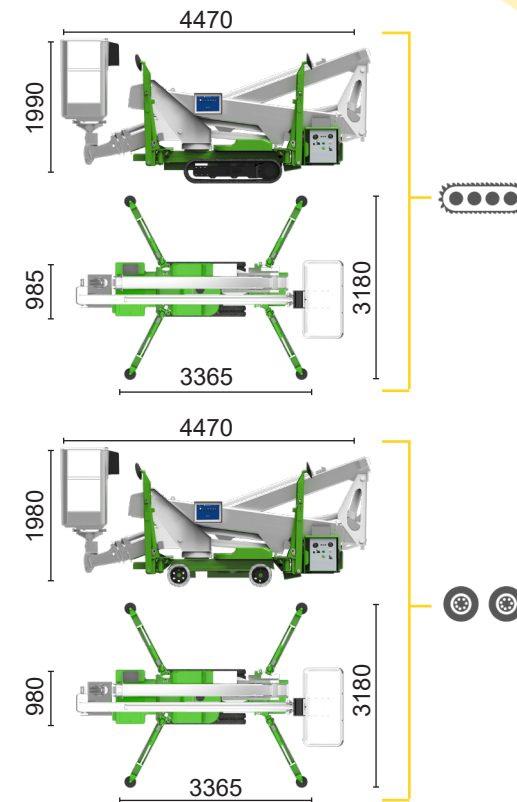
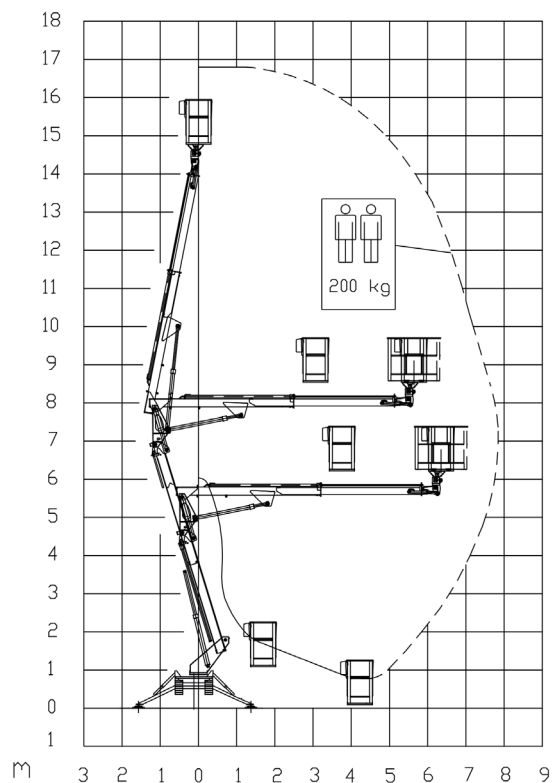
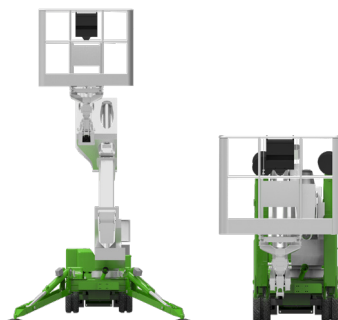






ECO

 Single-phase
Electric motor
230 VAC - 5,5 kW

 Lithium iron
phosphate battery
LiFePO4
24V 240Ah



TZX 170/C		17 m	7,8 m	200 kg	360°	140x70 cm	90°+90°	3,18 m	18%	31%	2,4 km/h	2000 kg	13 kN	1,87 kN/m ²	3,2 kN/m ²
TZX 170/R		17 m	7,8 m	200 kg	360°	140x70 cm	90°+90°	3,18 m	18%	25%	2 km/h	2000 kg	13 kN	1,87 kN/m ²	3,2 kN/m ²

Available power options:

BI-ENERGY (DIESEL+AC)

ECO (AC+BATTERY)

Characteristics and technical data are informative only and subjected to change without notice.

Palazzani Industrie S.p.A.

Via del Pavione, 4 - 25050 - Paderno F.C. (BS) - Italy

Tel. (+39) 0306857073

info@palazzani.it

www.palazzani.it

