

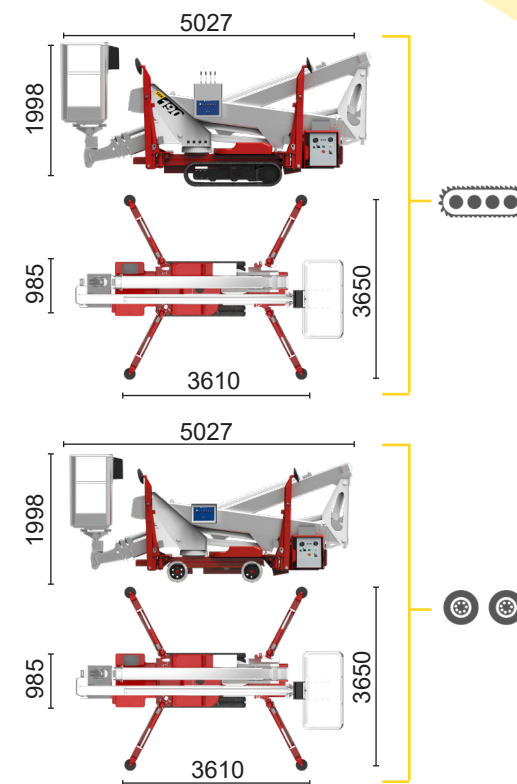
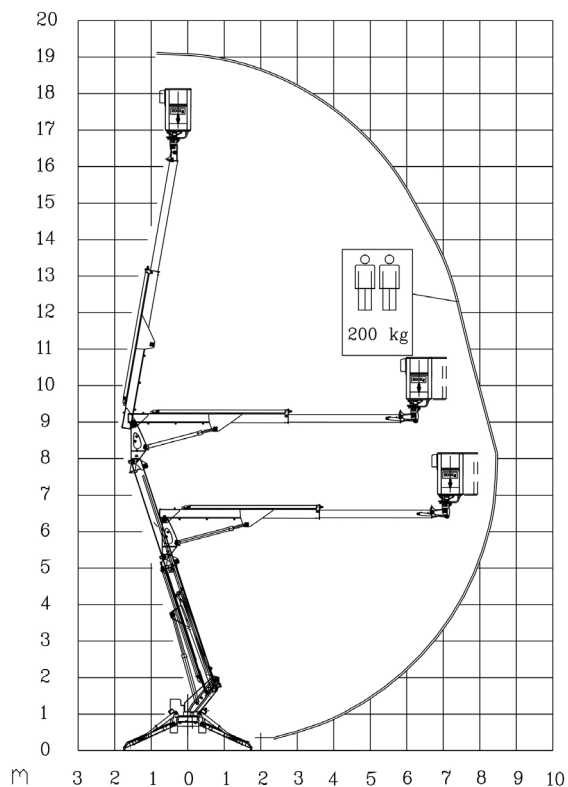
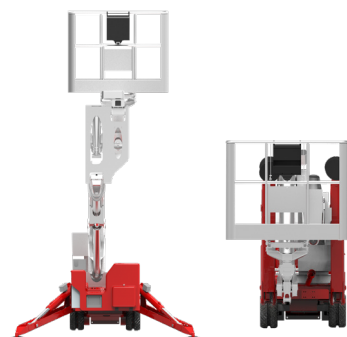






BI-ENERGY

 Diesel
10,6 kW

 Single-phase
Electric motor
230VAC - 2,2 kW



TZX 190/C		19 m	8,5 m	200 kg	360°	140x70 cm	90°+90°	3,65 m	21%	23%	2 km/h	2300 kg	16 kN	1,75 kN/m ²	3,27 kN/m ²
TZX 190/R		19 m	8,5 m	200 kg	360°	140x70 cm	90°+90°	3,65 m	21%	21%	1 km/h	2400 kg	16 kN	1,82 kN/m ²	3,41 kN/m ²

Available power options:

BI-ENERGY (DIESEL+AC)

ECO (AC+BATTERY)

Characteristics and technical data are informative only and subjected to change without notice.

Palazzani Industrie S.p.A.

Via del Pavione, 4 - 25050 - Paderno F.C. (BS) - Italy

Tel. (+39) 0306857073


info@palazzani.it


www.palazzani.it

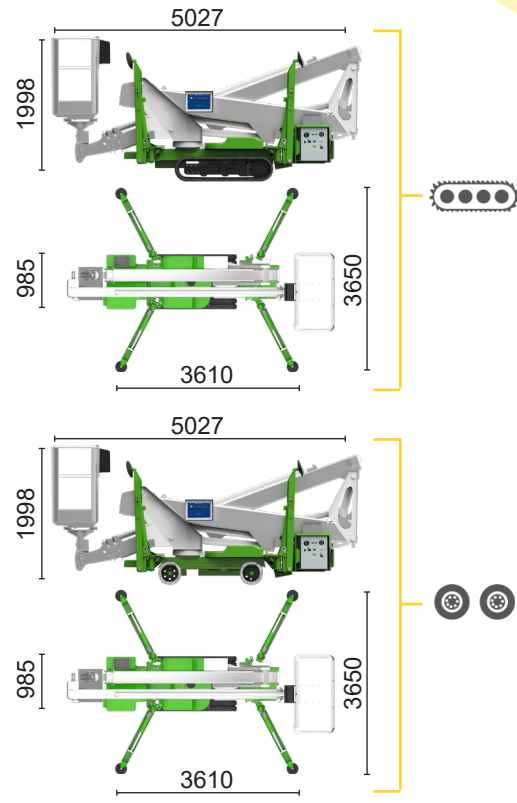
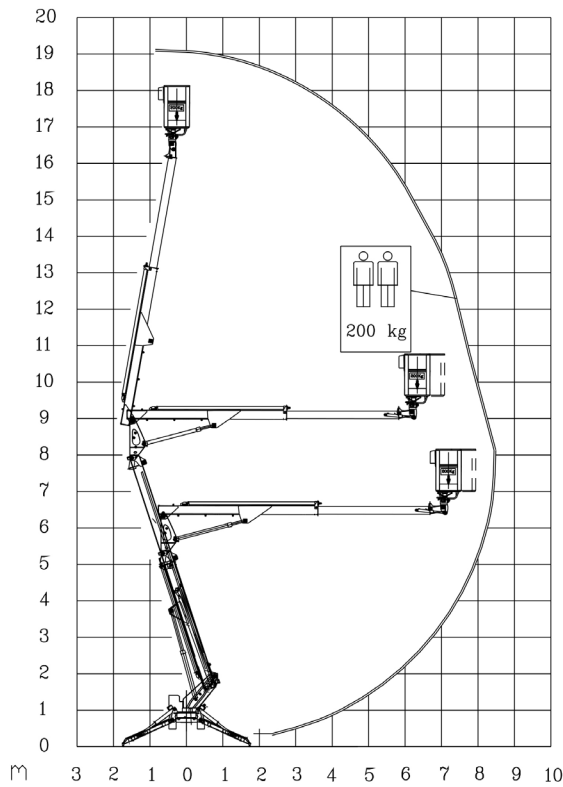
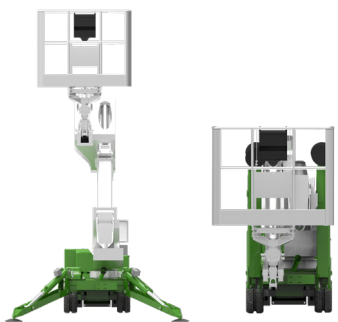






ECO

 Single-phase
Electric motor
230 VAC - 5,5 kW

 Lithium iron
phosphate battery
LiFePO4
48V 200Ah



TZX 190/C		19 m	8,5 m	200 kg	360°	140x70 cm	90°+90°	3,65 m	21%	23%	2,4 km/h	2300 kg	16 kN	1,75 kN/m ²	3,27 kN/m ²
TZX 190/R		19 m	8,5 m	200 kg	360°	140x70 cm	90°+90°	3,65 m	21%	21%	1 km/h	2400 kg	16 kN	1,82 kN/m ²	3,41 kN/m ²

Available power options:

- BI-ENERGY** (DIESEL+AC)
- ECO** (AC+BATTERY)

Characteristics and technical data are informative only and subjected to change without notice.

Palazzani Industrie S.p.A.
Via del Pavione, 4 - 25050 - Paderno F.C. (BS) - Italy
Tel. (+39) 0306857073
info@palazzani.it
www.palazzani.it



NC 798 A 22