
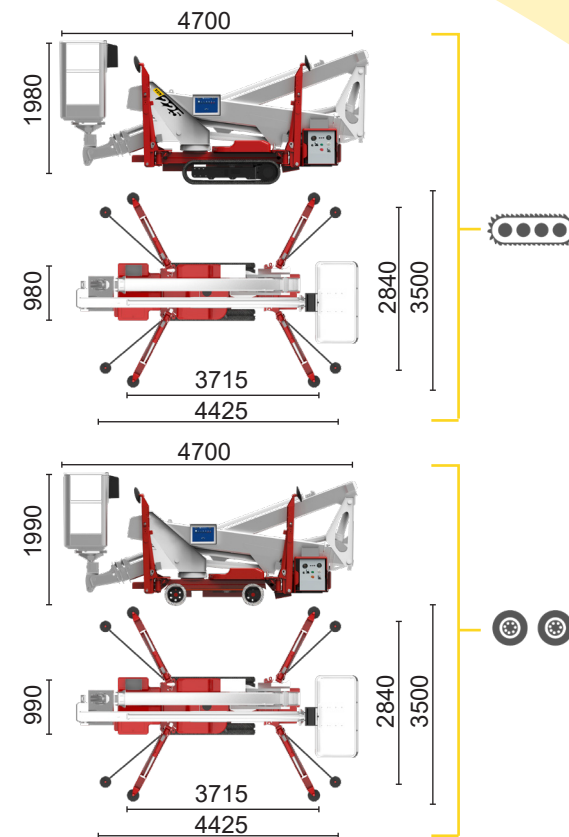
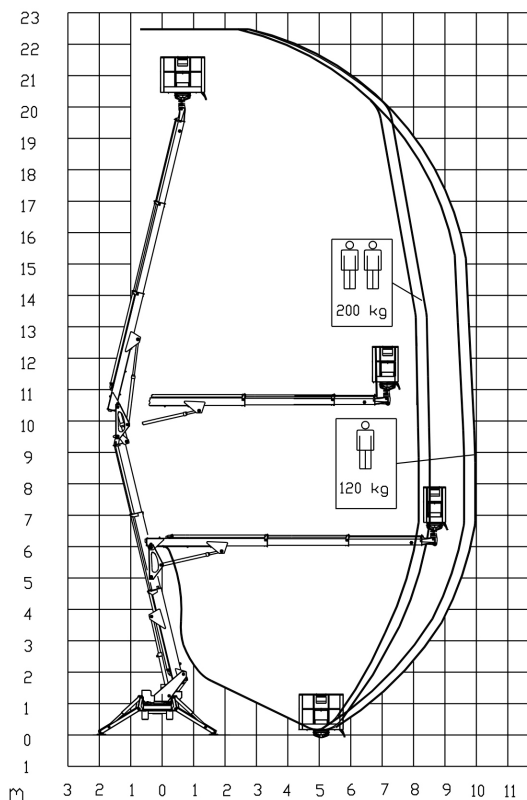
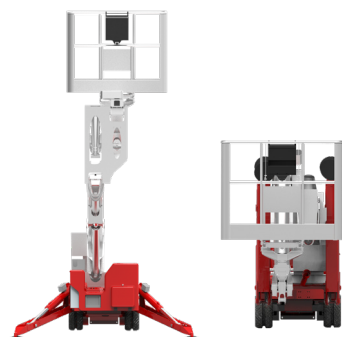






**BI-ENERGY**

 Diesel  
10,6 kW

 Single-phase  
Electric motor  
230VAC - 2,5 kW



TZX 225/C		22,5 m	10,2 m	200 kg	360°	140x70 cm	90°+90°	2,84-3,5 m	19%	23%	2,4 km/h	2560 kg	19,5 kN	1,97 kN/m <sup>2</sup>	3,8 kN/m <sup>2</sup>
TZX 225/R		22,5 m	10,2 m	200 kg	360°	140x70 cm	90°+90°	2,84-3,5 m	19%	21%	1,5 km/h	2500 kg	19,5 kN	1,92 kN/m <sup>2</sup>	3,8 kN/m <sup>2</sup>

Available power options:

**BI-ENERGY** (DIESEL+AC)

**ECO** (AC+BATTERY)

Characteristics and technical data are informative only and subjected to change without notice.

Palazzani Industrie S.p.A.

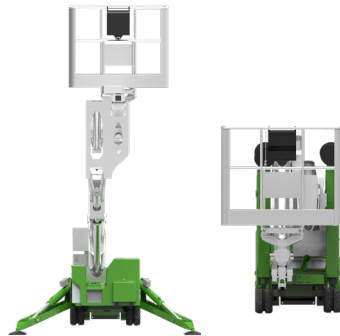
Via del Pavione, 4 - 25050 - Paderno F.C. (BS) - Italy

Tel. (+39) 0306857073

info@palazzani.it


www.palazzani.it






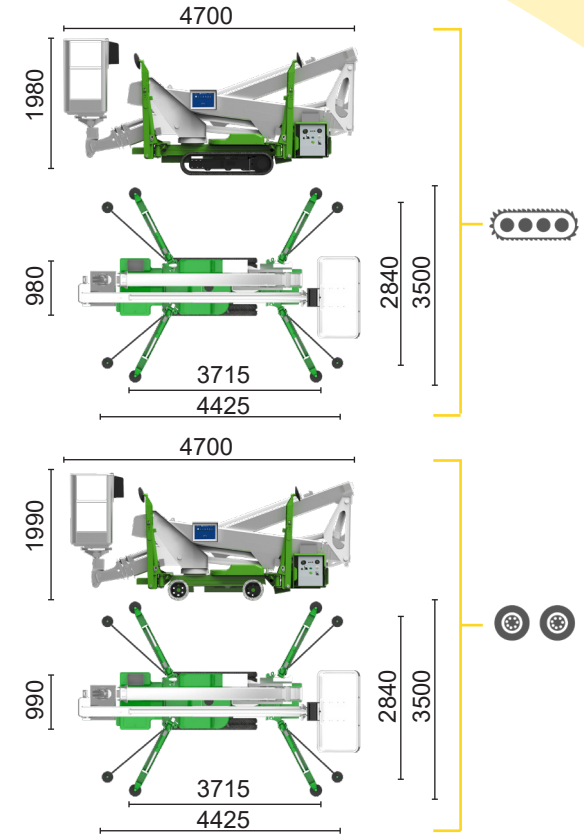
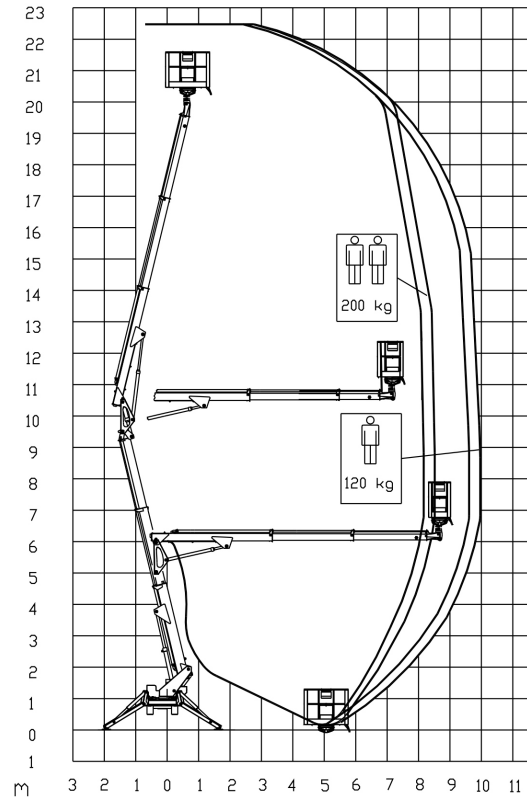
**ECO**



---

 Single-phase  
Electric motor 23  
230 VAC - 5,5 kW

---

 Lithium iron  
phosphate battery  
LiFePO4  
24V 480Ah



TZX 225/C		22,5 m	10,2 m	200 kg	360°	140x70 cm	90°+90°	2,84-3,5 m	19%	23%	1,4 km/h	2500 kg	19,5 kN	1,92 kN/m <sup>2</sup>	3,8 kN/m <sup>2</sup>
TZX 225/R		22,5 m	10,2 m	200 kg	360°	140x70 cm	90°+90°	2,84-3,5 m	19%	21%	1,5 km/h	2500 kg	19,5 kN	1,92 kN/m <sup>2</sup>	3,8 kN/m <sup>2</sup>

Available power options:

**BI-ENERGY** (DIESEL+AC)

**ECO** (AC+BATTERY)

Characteristics and technical data are informative only and subjected to change without notice.

Palazzani Industrie S.p.A.

Via del Pavione, 4 - 25050 - Paderno F.C. (BS) - Italy

Tel. (+39) 0306857073

info@palazzani.it

www.palazzani.it



NC 800 A 22