

K20

KLUBB®

CONFIDENCE AT ITS HIGHEST LEVEL

ELECTRIC AERIAL PLATFORM MOUNTED ON ELECTRIC MAXUS



Working height

K20 | **ZERO EMISSION**
100% ELECTRIC



GANTIC
+47 55 31 55 31
<https://www.gantic.no>
Bleivassvegen 34,
5347 ÅGOTNES, Norway

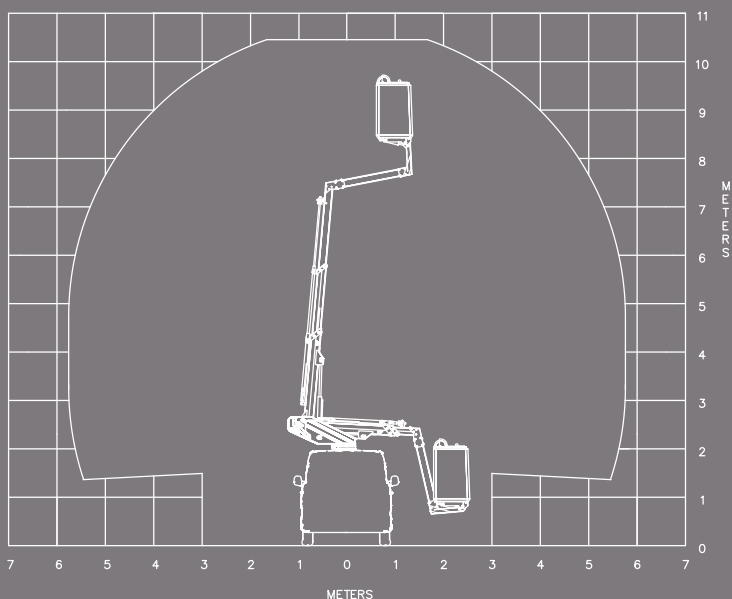


K20 TELESCOPIC AERIAL PLATFORM

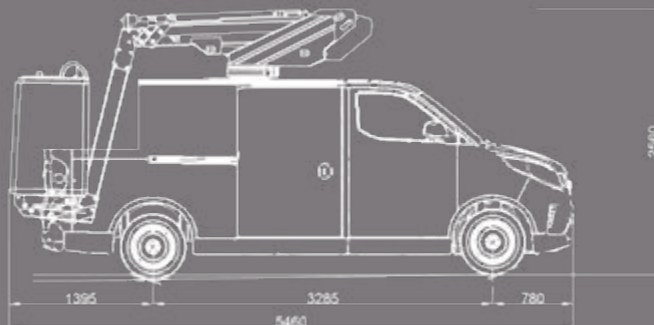
mounted on electric Maxus eDeliver 3



WORKING DIAGRAM



VEHICLE DRAWING



STANDARD SPECIFICATIONS

- Independent emergency manual pump with all the features in the basket for maximum security
- Proportional controls
- Secure access to the working platform
- Hoses and cables are inside the boom structure for maximum protection
- Aluminium boom for optimum stability

AERIAL PLATFORM OPTIONS

- Signalling devices
- 220V electric socket in basket
- Water / air circuit in basket
- Fully opening insulated basket
- Removable tool holder in basket
- Interior workshop and fitting out

For more platform options, please contact us before ordering



100% electric



10.50m (34'5")



5.80m (19'0")



8.50m (27'11")



420°



120kg



No outriggers



80 x 75 x 110cm



Hour counter



≤ 3.5T



POSSIBLE TYPES OF VEHICLES

- MAXUS eDeliver 3
- PEUGEOT e-Expert
- GOUPIL-G4



DEMONSTRATION ON DEMAND

For vehicle options, please contact us before ordering