

NEW

EC 1060



UP TO 150 M³/H. UP TO 400 HP. UP TO 600 MM LOGS.



EC 1060 NO-NONSENSE

WITH UP TO 150 M³ CAPACITY PER HOUR THE EC 1060 SURE IS BY NO MEANS A LIGHTWEIGHT. IT TAKES LOGS OF UP TO 600 MM WHILE STILL STAYING MOBILE. AN AGGRESSIVE NO-NONSENSE MACHINE THAT SIMPLY GETS THE JOB DONE.



EC 1060 NO-NONSENSE

1

We understand that one chip size does not fit all. For example, if you burn the chips for its heating, you need large chips and very few fine material, yet the latter is suited best for making pellets. That is why you can change the size of the wood chips from G10 to G50, according to the ÖNORM M7 133. Simply press one button on your EC 1060.

2

The infeed table and chute can be folded hydraulically. Optionally assembled on a tandem axle and TÜV certified tandem axle that is road legal up to 80 km/h can be added to the machine as well. This enables you to transport the wood chipper more easily.

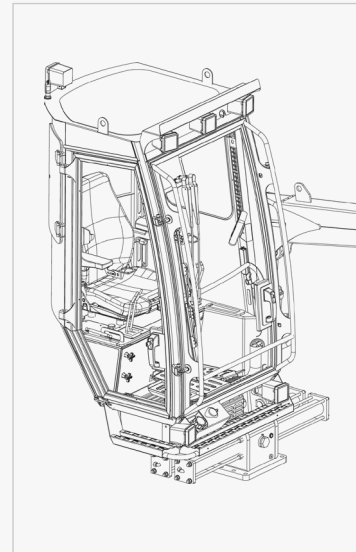
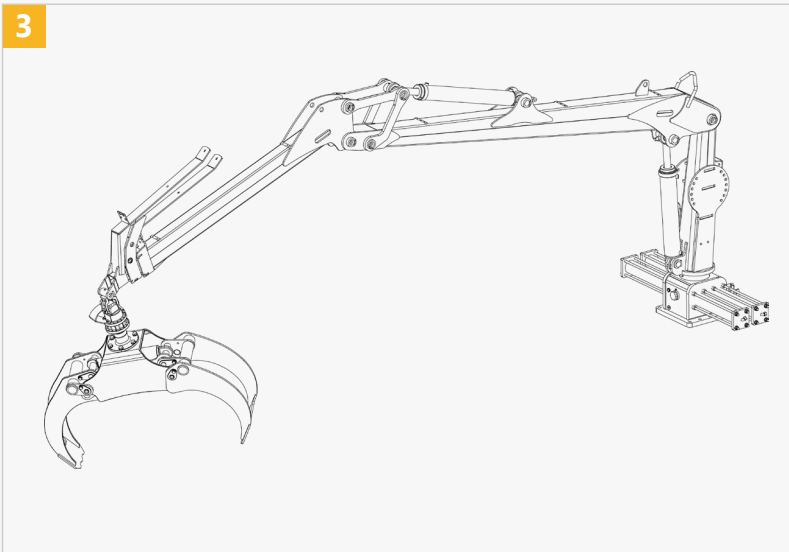
1



2



3



3

We work closely together with Palfinger and Patruuna to deliver the most suitable cranes. The bearings of the cranes are supplied with bronze bushes, so grease is equally distributed and a longer lifetime is guaranteed. The telescope system is internally routed and the hoses are fully protected. These cranes operate in a range of 8.5 meters and up to 5.5 tons. Operating the crane can be done either electronically or mechanically.

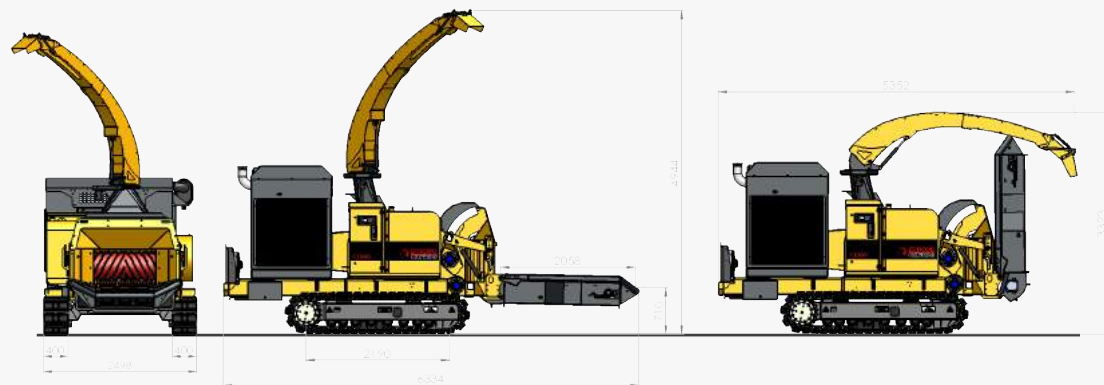
Europe Forestry is the exclusive BENELUX dealer of NTcab. The high-quality aluminum cabins produced by said company have excellent visibility in all directions. This of course increases the safety and avoids unnecessary accidents. The lifting unit is integrated in the machine, which saves material and space. When you are producing on site you will have a complete overview of the entire location.

Both the crane and the cabin integrate perfectly in the machine, so that you have a complete wood chipping construction on the go. The crane and cabin are optionally available and customized to your needs.

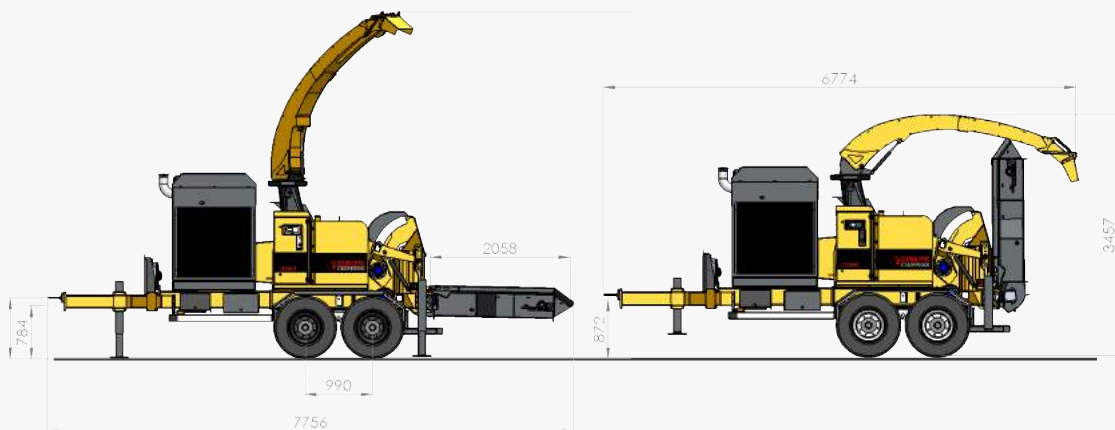
TECHNICAL SPECIFICATIONS

FRONT VIEW

SIDE VIEW TRACKS



SIDE VIEW TANDEM AXLE



	EC 1060	EC 1060e	EC 1060 PTO
Power	Up to 400 hp	Up to 300 kW	Up to 400 hp
Output	Up to 150 m ³ /h, depending on material		
Infeed opening	1000 x 600 mm		
Drum diameter	1000 mm, including knives		
Upper feed wheel	500 x 1000 mm (diameter x width)		
Bottom feed wheel	300 x 1000 mm (diameter x width)		
Drum rotation speed	Between 1000 and 1200 rpm		
Knives	4 pcs on drum and 1 pc counter knife		
Weight	8.000 kg, including engine and table		
Specifications	Long pipe of 4 m w/ Venturi configuration. Automatic no-stress system. Emergency stop on both sides, manufactured completely from high grade steel S335, etc.		
General options	Europe controller w/ PLC, colour display and proportional valves. Remote control. Special colour customers' choice with grey RAL 7021. Knife. Counter knife. Screen 50/70/90 mm of Hardox steel. Double screen 180° of Hardox steel. Oil cooler electric extra in combination with sprocket pump. Vertical infeed rolls.		
Power options	400 hp CAT C9.3 Tier IV Final motor. PTO shaft plus pulleys and drive train up to 400 hp. Electrical motor up to 300 kW.		
Transport options	Single axle and tandem axle with hydraulic brake plus draw bar, spring suspension up to 40 km/h road legal or air brakes up to 80 km/h road legal. Optional draw bar eye 50 mm instead of 38 mm. Truck mount frame. Hook lift frame. Extra hook in the rear. 2-speed steel tracks. Rubber pads. Radio remote control for tracks.		
Crane options	Europe Forestry Crane (EFC) 5585 up to 5.5 tons and 8.5 m reach. Mechanical controllers plus seat. Electrical controllers plus 6 pcs Danfoss PVG32 for load sensing pump. Crane mounting plate plus adjustment to chassis. Sprocket pump. Load sensing pump. Grapple 200 or 310. Cabin normal and cabin deluxe. Double legs in front and rear.		