

K20L

KLUBB®

CONFIDENCE AT ITS HIGHEST LEVEL

AERIAL PLATFORM MOUNTED ON CUTAWAY VAN



Working height



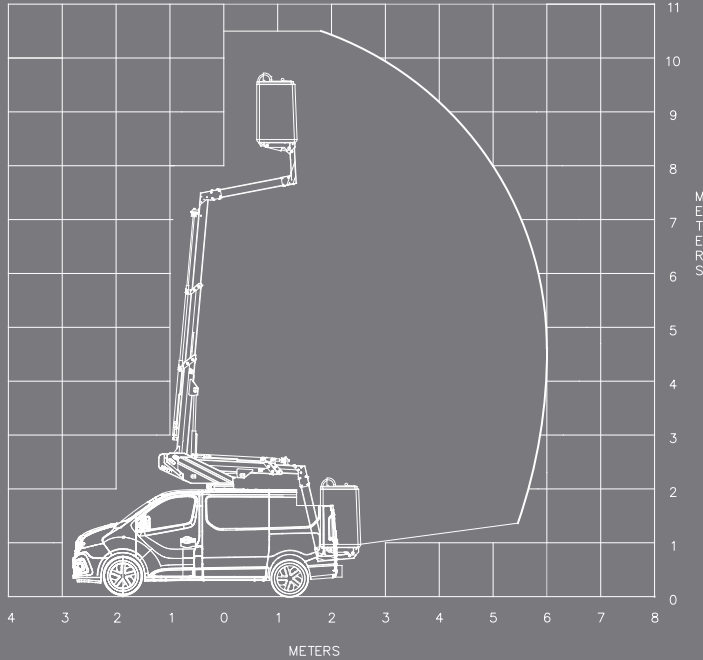
GANTIC
+47 55 31 55 31
<https://www.gantic.no>
Bleivassvegen 34,
5347 ÅGOTNES, Norway



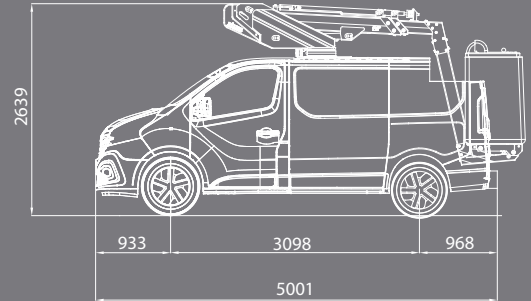
K20L TELESCOPIC AERIAL PLATFORM

mounted on cutaway van

WORKING DIAGRAM



VEHICLE DRAWING



STANDARD SPECIFICATIONS

- Engine start and stop from basket
- Independant emergency electric pump with all the features in the basket for maximum security
- Proportional controls on all movements
- Secure access to the working platform
- Hoses and cables are inside the boom structure for maximum protection
- Aluminium boom for optimum stability

AERIAL PLATFORM OPTIONS

- Signaling devises (triflash, 2 flashing lights, reflective strips)
- 220V electric socket in the basket
- Reinforced suspensions
- Fully opening insulating baasket
- Custom fitting out of vehicles
- Side ladder rack
- Green Pack : the platform can be operated with the van engine turned off

For more platforms options, please contact us before order



10.50m
(26'3")



6m
(26'3")



8.50m
(27'3")



420°



120kg



No outriggers



80x75x110cm



Hour
counter



≤3.5T



POSSIBLE TYPES OF VEHICLES

- RENAULT TRAFIC

For vehicles options, please contact us before

/ DEMONSTRATION ON DEMAND