

K32

KLUBB®

CONFIDENCE AT ITS HIGHEST LEVEL

AERIAL PLATFORM MOUNTED ON CHASSIS GAS



Working height



GANTIC
+47 55 31 55 31
<https://www.gantic.no>
Bleivassvegen 34,
5347 ÅGOTNES, Norway

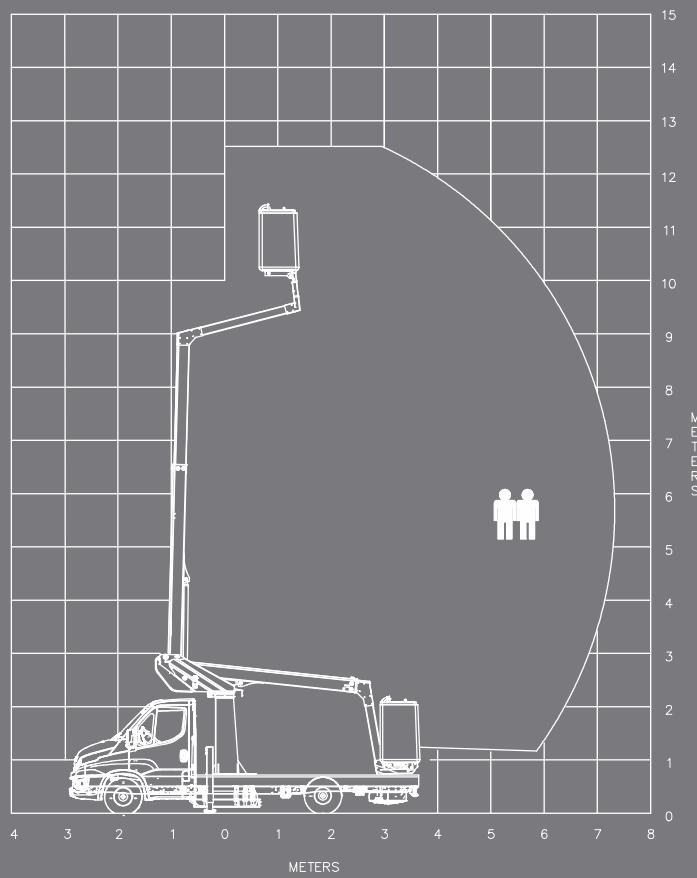


K32 TELESCOPIC AERIAL PLATFORM

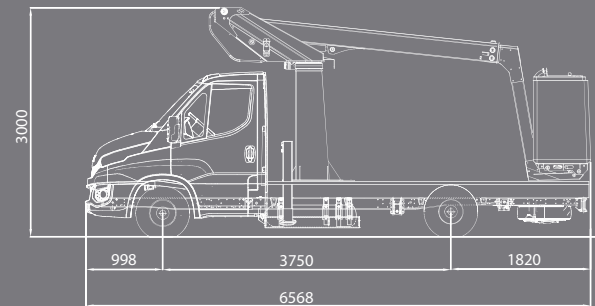
mounted on chassis



WORKING DIAGRAM



VEHICLE DRAWING



STANDARD SPECIFICATIONS

- Engine start and stop from basket
- Independent emergency electric pump with all the features in the basket for maximum security
- Proportional controls
- Secure access to the working platform
- Hoses and cables are inside the boom structure for maximum protection
- Aluminium boom for optimum stability

AERIAL PLATFORM OPTIONS

- *2 man basket (200kg) with outriggers
- Signalling devices (triflash, 2 flashing lights, reflective strips)
- 220V electric socket in the basket
- Trailer hook
- Reinforced suspensions
- Fully opening insulated basket
- Aluminium chests
- Aluminium side panels
- Side ladder rack
- Toolholders in basket
- Green Pack: the platform can be operated with the van engine turned off

For more platform options, please contact us before ordering



12.50m
(41')



7.30m
(23'11")



10.50m
(34'5")



360°



120kg
*200kg



No outriggers
*2 outriggers



86 x 72 x 110cm
*125 x 75 x 110cm



Hour
counter



≤ 3.5T



POSSIBLE TYPES OF VEHICLES

- IVECO DAILY 35S14 NV (wheelbase 3750)

For vehicle options, please contact us before ordering



/ DEMONSTRATION ON DEMAND