

KL21B

KLUBB®

CONFIDENCE AT ITS HIGHEST LEVEL

AERIAL PLATFORM MOUNTED ON VAN



Working height



GANTIC
+47 55 31 55 31
<https://www.gantic.no>
Bleivassvegen 34,
5347 ÅGOTNES, Norway

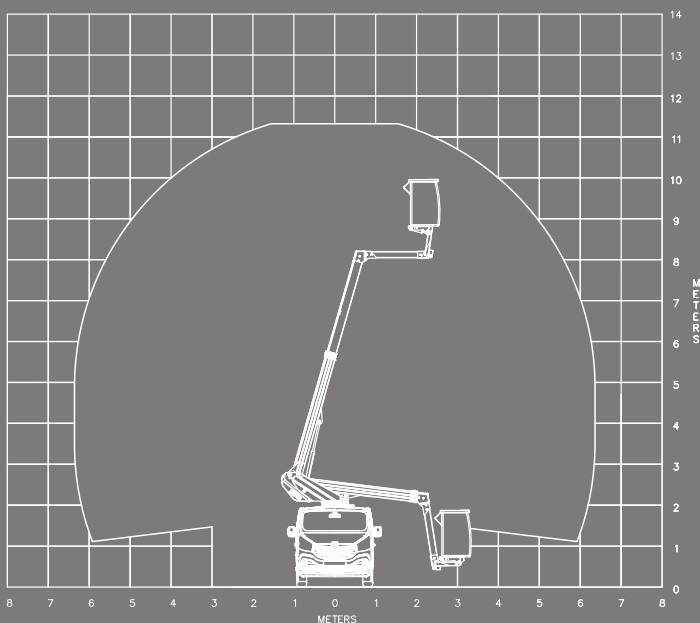


KL21B TELESCOPIC AERIAL PLATFORM

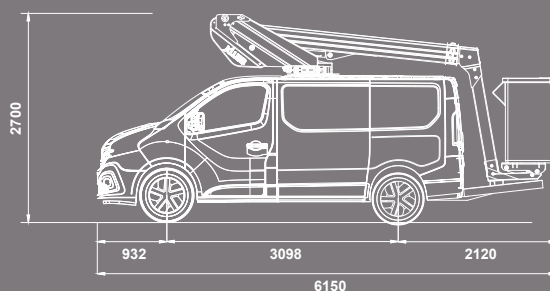
mounted on van

KL21B

WORKING DIAGRAM



VEHICLE DRAWING



STANDARD SPECIFICATIONS

- Engine start and stop from basket
- Independent emergency electric pump with all the features in the basket for maximum security
- Proportional controls
- Secure access to the working platform
- Hoses and cables are inside the boom structure for maximum protection
- Aluminium boom for optimum stability

AERIAL PLATFORM OPTIONS

- Signalling devices (triflash, 2 flashing lights, reflective strips)
- 220V electric socket in the basket
- Reinforced suspensions
- Fully opening insulated basket
- Custom fitting out of vehicles
- Side ladder rack
- Fibre optic kit (hatch + solder support)
- Green Pack: the platform can be operated with the van engine turned off

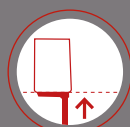
For more platform options, please contact us before ordering



11.40m
(37'5")



6.80m
(22'4")



9.40m
(30'10")



360°



120kg



No outriggers



86 x 72 x 110cm



Hour
counter



≤3.5 T



POSSIBLE TYPES OF VEHICLES

- RENAULT TRAFIC L1H1
- PEUGEOT EXPERT L2H1

For vehicles options, please contact us before

/ DEMONSTRATION ON DEMAND

KLUBB | KL21B