

KL26

KLUBB®

CONFIDENCE AT ITS HIGHEST LEVEL

AERIAL PLATFORM MOUNTED ON GAS POWERED CHASSIS



Working height



GANTIC
+47 55 31 55 31
<https://www.gantic.no>
Bleivassvegen 34,
5347 ÅGOTNES, Norway

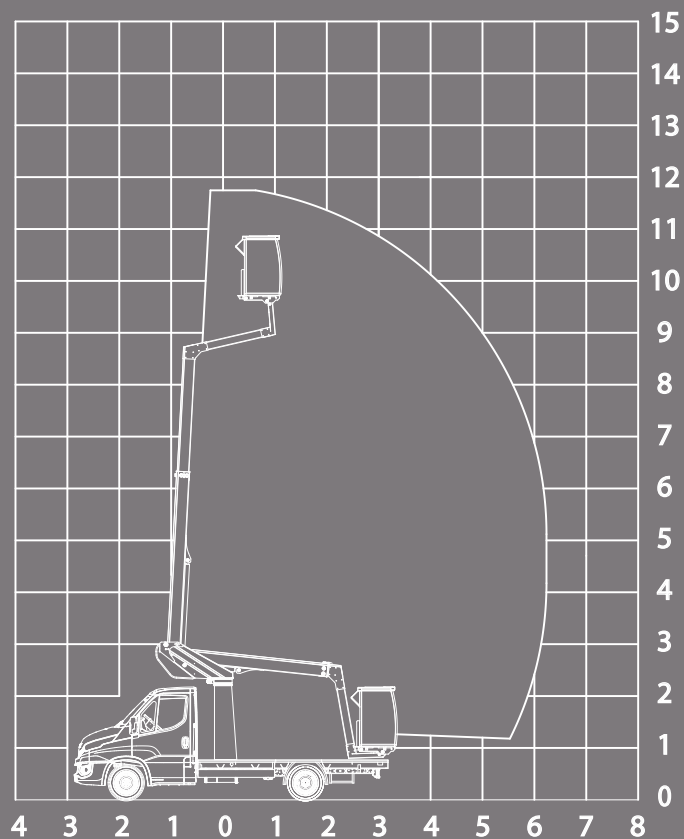


KL26 TELESCOPIC AERIAL PLATFORM

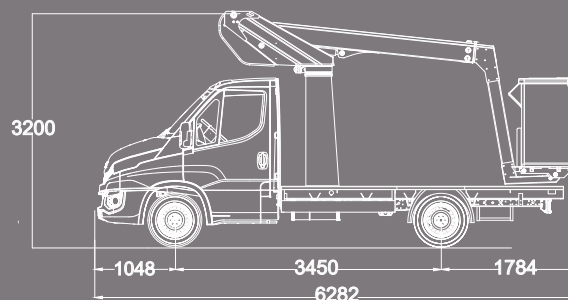
mounted on chassis



WORKING DIAGRAM



VEHICLE DRAWING



STANDARD SPECIFICATIONS

- Engine start and stop from basket
- Independent emergency electric pump with all the features in the basket for maximum security
- Proportional controls
- Secure access to the working platform
- Hoses and cables are inside the boom structure for maximum protection
- Aluminium boom for optimum stability

AERIAL PLATFORM OPTIONS

- *2 man basket (200kg) with outriggers
- Signalling devices (triflash, 2 flashing lights, reflective strips)
- 220V electric socket in the basket
- Trailer hook
- Reinforced suspensions
- Fully opening insulated basket
- Aluminium chests
- Aluminium side panels
- Side ladder rack
- Toolholders in basket
- Green Pack: the platform can be operated with the van engine turned off

For more platform options, please contact us before ordering

11.80m (38'9")	6.80m (22'4")	9.80m (32'2")	360°	120kg *200kg	No outriggers	86 x 72 x 110cm *125 x 75 x 110cm	Hour counter	≤ 3.5T



POSSIBLE TYPES OF VEHICLES

- IVECO DAILY 35S14 H (wheelbase 3450)

For vehicle options, please contact us before ordering

/ DEMONSTRATION ON DEMAND