

# KT17

# KLUBB®

CONFIDENCE AT ITS HIGHEST LEVEL

## AERIAL PLATFORM MOUNTED ON A CHASSIS



Working height



GANTIC  
+47 55 31 55 31  
<https://www.gantic.no>  
Bleivassvegen 34,  
5347 ÅGOTNES, Norway

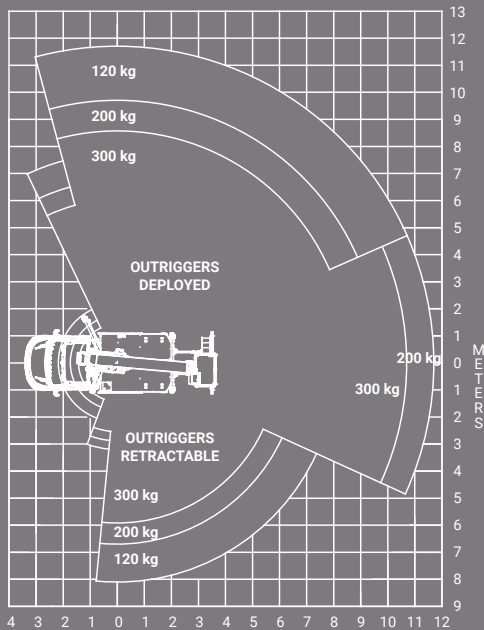
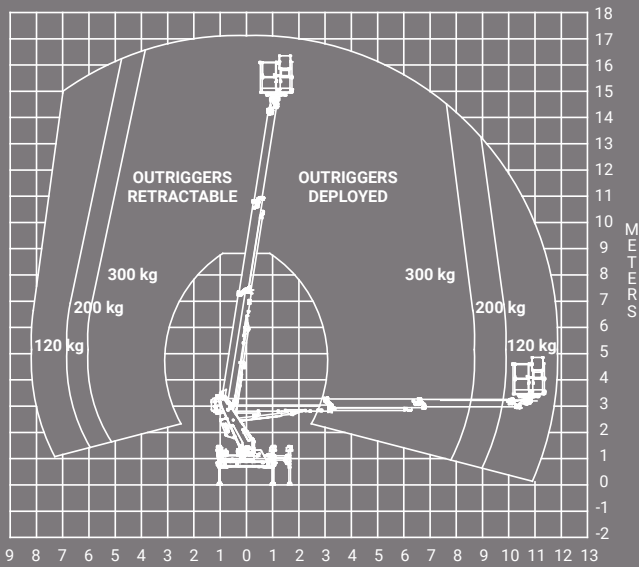


# KT17 TELESCOPIC AERIAL PLATFORM

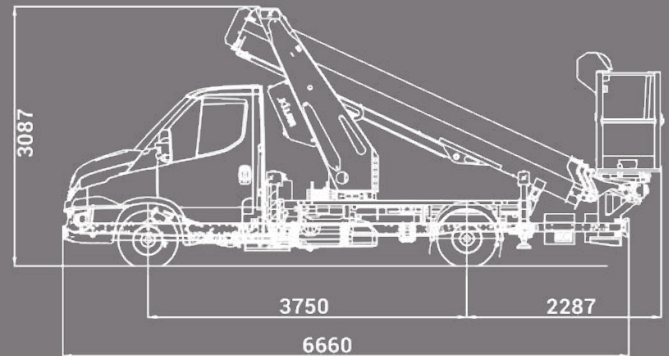
mounted on a chassis

# KT17

## WORKING DIAGRAM



## VEHICLE DRAWING



## STANDARD SPECIFICATIONS

- Engine start and stop from basket
- Independent emergency manual pump with all the features in the basket for maximum security
- Proportional controls
- Hoses and cables are inside the boom structure for maximum protection
- Outriggers in the template for reduced congestion in the streets (working outreach reduced)
- Aluminium boom for optimum stability
- Automatic stabilization (top and bottom)
- Home function with automatic stabilizer lift

## AERIAL PLATFORM OPTIONS

- Outriggers extended at the front, left side or right side for a full working outreach
- Signalling devices (triflash, 2 flashing lights, reflective strips)
- 220V electric socket in the basket
- Fully opening insulated basket
- Basket BT200
- Aluminium chests and side panels
- Side ladder rack
- Toolholders in the basket

For more platform options, please contact us before ordering

## POSSIBLE TYPES OF VEHICLES

- IVECO DAILY (wheelbase 3750)

For vehicle options, please contact us before ordering



17m  
(55'9")



Up to 11.90m  
(39'1")



15m  
(49'3")



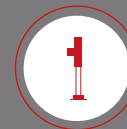
420°



Rotating basket  
2x90°



Up to 300kg



4 outriggers



125 x 75 x 110cm



≤ 3.5T



/ DEMONSTRATION ON DEMAND

KLUBB | KT17