

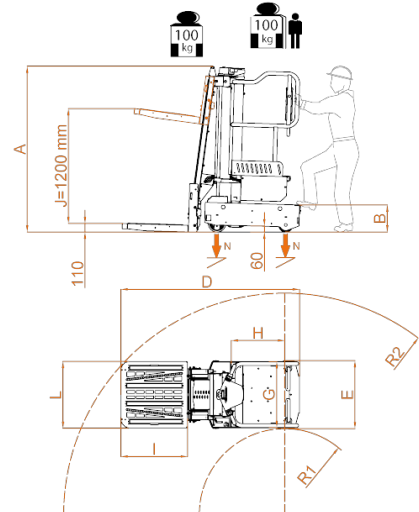
ELEVAH[®] 40 T.FL

| | | |
|-----------------------|-------------------------|---------|
| Max. working height | 4,00 m | |
| Max capacity | 200 kg | |
| Number of people | 1 | |
| Use | Internal - External | |
| A | Closed machine height | 1750 mm |
| B | Minimum platform height | 290 mm |
| C | Maximum platform height | 1950 mm |
| D | Base overall dimensions | 1880 mm |
| E | | 715 mm |
| G | Cage dimensions | 685 mm |
| H | | 580 mm |
| Machine weight | 540 kg | |
| Driving wheels size | Ø 186 x 60 mm | |
| Idle rear wheels size | Ø 150 x 40 mm | |



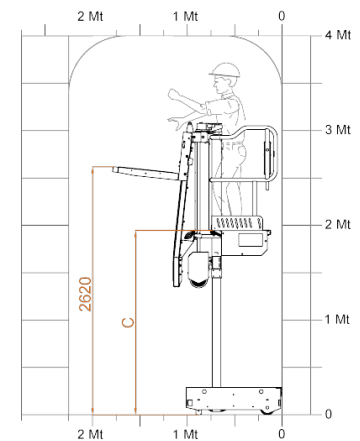
PICKING PLATFORM

| | | |
|--------------------------------|------------|---------|
| I | Dimensions | 690 mm |
| L | | 700 mm |
| Adjustment | Electric | |
| J | Stroke | 1200 mm |
| Min. height from the ground | 110 mm | |
| Maximum height from the ground | 2620 mm | |
| Capacity | 100 kg | |



PERFORMANCE

| | | |
|----------------------------------|--|---------|
| Power supply | 24V | |
| Batteries | 2 AGM 12V 45 Ah* | |
| Battery charger | 115V-230V 50/60HZ | |
| M1 | Maximum climbing ability | 15% |
| M2 | Surmountable landing slope | 15% |
| R1 | Internal turning radius | 900 mm |
| R2 | External turning radius | 2350 mm |
| Max. speed (rising – descending) | 0,15 m/s | |
| Maximum shifting speed | 5 km/h | |
| N | Maximum pressure for wheel at full load ** | 2,4 kN |



* There is an intermediate step.

** Maximum pressure whereas the weight of the platform plus the maximum load on the basket are completely distributed on one side of the platform (totally asymmetric load).

CE Complies with European regulations for man-up forklift trucks. UNI EN ISO 3691-1. In assessing compliance, only those standards whose proposed measures have been implemented were considered and only if a corresponding risk does indeed exist.

