

ELEVAH[®] 80-MOVE



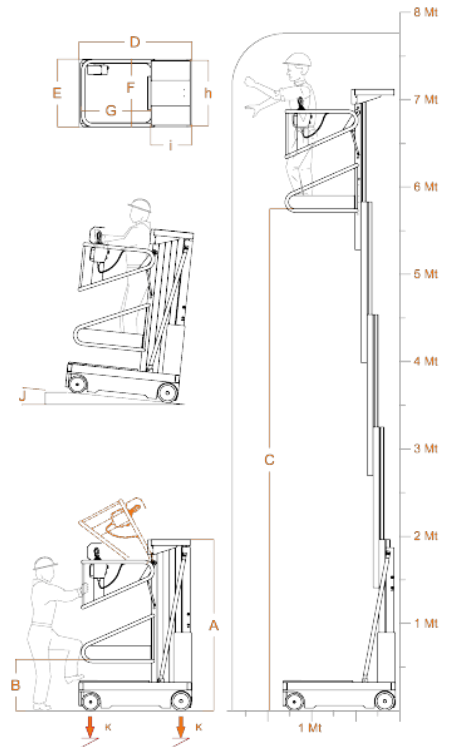
ELEVAH[®] 80-65 MOVE

| | |
|--|---------------|
| Max. working height | 7,75 m |
| Max capacity | 200 kg |
| Number of people | 1 |
| Use | Internal |
| A Closed machine height | 2000 mm |
| B Minimum platform height | 600 mm |
| C Maximum platform height | 5750 mm |
| D Base overall dimensions | 1280 mm |
| E | 780 mm |
| F Cage dimensions | 770 mm |
| G | 790 mm |
| Machine weight | 750 kg |
| H Fixed picking tray dimensions | 740 mm |
| I | 440 mm |
| Fixed picking tray capacity | 20 kg |
| Drive wheels dimension | Ø 220 x 65 mm |
| Swivel wheels dimensions | Ø 200 x 50 mm |



PERFORMANCE

| | |
|---|--------------------------------|
| Power supply | Electrical |
| Batteries | Lead-Acid Batteries 12V 105 Ah |
| Battery charger | 110V – 220V 50/60HZ |
| J Maximum climbing ability | 15 % |
| Climbing ability at height | 2,5 % |
| Internal turning radius | 0 |
| External turning radius | 1095 mm |
| Max. speed (rising) | 0,20 m/s |
| Max. speed (descending) | 0,20 m/s |
| Maximum shifting speed | 4 Km/h |
| Maximum shifting speed at height | 1 Km/h |
| K Maximum pressure for wheel at full load* | 3,3 kN |
| Work cycles (with fresh batteries)** | 130 |



* Maximum pressure whereas the weight of the platform plus the maximum load on the basket are completely distributed on one side of the platform (totally asymmetric load).

** By work cycle we mean a self-propelled movement of 20 m with a full ascent to and descent from the maximum height and with adjustment of the loading platform.



Compliant with **EN280** rule.
Approved for indoor use or outdoor use in the absence of wind.