

ELEVAH[®] 5

elevah.com



+
**COMPACT
COMPATTA**

+
**WIDE
SPAZIOSA**

+
**HANDY
MANEGGEVOLE**

+
**COMFORTABLE
CONFORTEVOLE**

+
**SAFE
SICURA**





+ COMPACT COMPATTA

The most compact of its category
(footprint cm 70 x 98).
La più compatta della sua
categoria (ingombro base
70x98 cm)



+ HANDY MANEGGEVOLE

It turns on itself.
Extremely easy to drive.
Ruota su sè stessa.
Estremamente facile da guidare.





TECHNICAL
DETAILS
DETTAGLI
TECNICI



+ COMFORTABLE COMFORTEVOLE

Practical and safe access thanks to the large platform and side handles.
Accesso pratico e sicuro grazie all'ampia pedana e alle maniglie laterali



+ WIDE SPAZIOSA

Large basket, convenient for all sizes.
Ampio cestello, comodo per tutte le taglie

+ SAFE SICURA

- **CONTROL ACCESS**
Automatic door block. Prevents accidental opening.
- **TILT DEVICE**
Prevents lifting on sloping surfaces.
- **SIGNALS**
3 presence detectors that can be integrated with the BLU SPOT accessory
- **JOYSTICK**
All controls at hand.
- **SPEED CONTROL**
Speed control adjustment.

OPTIONAL

- **RADAR SYSTEM**
3 anti-collision radar systems can be fitted on the machine
- **KEY ACCESS**
Basket block at max. 1,95 m platform height.

- **CONTROL ACCESS**
Blocco automatico dello sportello. Evita l'apertura accidentale.
- **INCLINOMETRO**
Impedisce il sollevamento in spazi inclinati
- **SEGNALATORI**
Ben 3 segnalatori di presenza che possono essere integrati con l'optional BLUE SPOT
- **JOYSTICK**
Tutti i controlli a portata di una sola mano
- **SPEED CONTROL**
Regolatore di velocità

OPTIONAL

- **RADAR SYSTEM**
3 sistemi radar anticollisione applicabili alla macchina
- **KEY ACCESS**
Blocco della macchina h. max. 1,95 al piede. Questo accessorio consente l'utilizzo della macchina senza patentino.



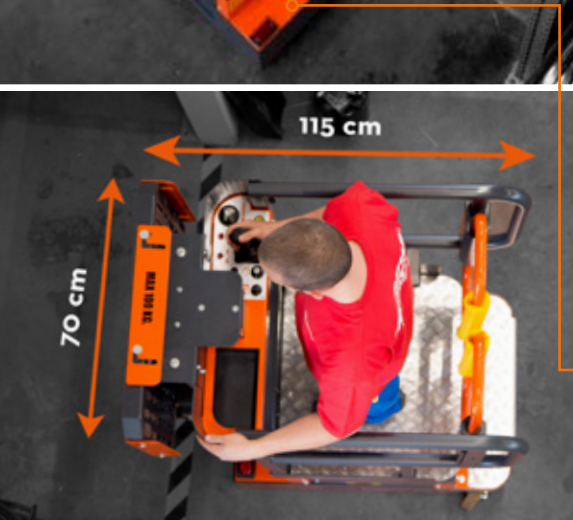


PICKING VERSION VERSIONE PICKING

Picking plate having 100 kg safe load capacity, foldable and electrically adjustable.
Piano picking con 100 kg di portata a regolazione elettrica e richiudibile di serie.



OPTIONAL
Belt with winder to block the goods during picking activities
Cinta per legare pacchi al piano picking con arrotolatore



OPTIONAL
Extension for picking platform
Prolunga per piano picking



Customizable colors on request
Colori personalizzabili su richiesta



REMOVABLE PICKING PLATE PIANO ASPORTABILE

On demand a fixed picking plate instead of the electrical one, having 3 possible adjustments.

Possibilità di sostituire il piano elettrico con quello asportabile a 3 regolazioni.



Faradone.com

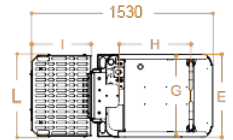
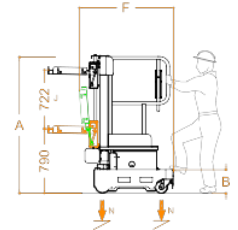


ELEVAH.com



ELEVAN[®] 5 picking

Max. working height	5,15 m	
Max capacity	200 kg	
Number of people	1	
Use	Internal - External	
A	Closed machine height	1690 mm
B	Min. height from the ground*	289 mm
C	Maximum platform height	3150 mm
D		1540 mm
E	Base overall dimensions	700 mm
F		1152 mm
G	Cage dimensions	685 mm
H		600 mm
Machine weight	640 kg	
Drive wheels dimension	Ø 186 x 60 mm	
Swivel wheels dimensions	Ø 150 x 40 mm	

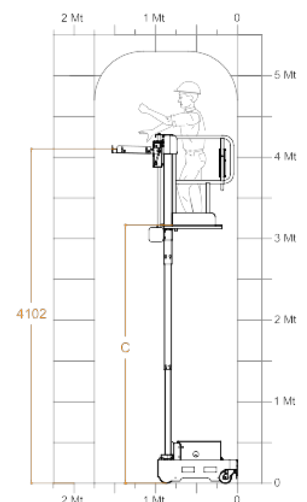
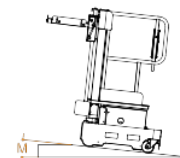


PICKING PLATFORM

I	Dimensions	500 mm
L		680 mm
Adjustment		Electrical
J	Stroke	722 mm
Min. height from the ground		790 mm
Maximum height from the ground		4102 mm
Capacity		100 kg

PERFORMANCE

Power supply	Electrical 24 V	
Batteries	2 Trojan Lead-Acid 12V 105 Ah	
Battery charger	115V – 230V 50/60HZ	
M	Maximum climbing ability	15%
Climbing ability at height		2,5%
Internal turning radius		0
External turning radius		1050 mm
Max. speed (rising – descending)		0,2 m/s
Maximum speed (with basket on the ground)		5,5 km/h
N	Maximum pressure for wheel at full load**	2,9 kN
Work cycles (with fresh batteries) ***		100



* There is an intermediate step.

** Maximum pressure whereas the weight of the platform plus the maximum load on the basket are completely distributed on one side of the platform (totally asymmetric load).

*** By work cycle we mean a self-propelled movement of 20 m with a full ascent to and descent from the maximum height and with adjustment of the loading platform.

CE Complies with European regulations for man-up forklift trucks. UNI EN ISO 3691-1.