

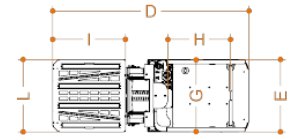
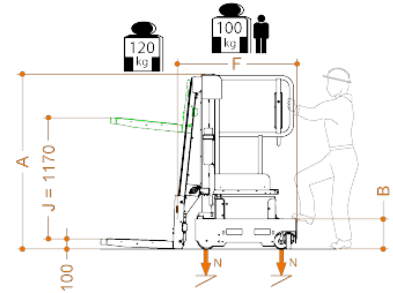
ELEVAH® 5 T.FL

Max. working height	5,15 m	
Max capacity	220 kg	
Number of people	1	
Use	Internal - External	
A	Closed machine height	1690 mm
B	Minimum platform height	289 mm
C	Maximum platform height	3150 mm
D		1890 mm
E	Base overall dimensions	700 mm
F		1160 mm
G	Cage dimensions	685 mm
H		600 mm
Machine weight	820 kg	
Drive wheels dimension	Ø 186 x 60 mm	
Swivel wheels dimensions	Ø 150 x 40 mm	



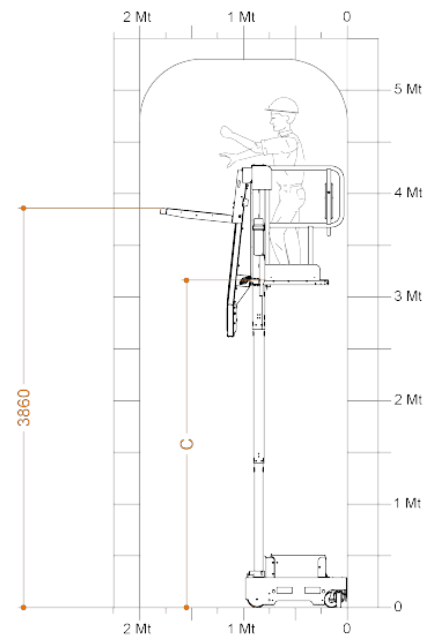
PICKING PLATFORM

Adjustment	Electrical	
J	Stroke	1170 mm
	Min. height from the ground	100 mm
	Maximum height from the ground	3860 mm
I	Dimensions	700 mm
L		700 mm
Capacity	120 kg	



PERFORMANCE

Power supply	Electrical	
Batteries	Lead-Acid Batteries 12V 105 Ah	
Battery charger	110V – 220V	
Climbing ability at height	2,5%	
M	Maximum climbing ability	15%
	Internal turning radius	0
	External turning radius	1025 mm
	Max. speed (rising – descending)	0,2 m/s
	Maximum translation speed	5,5 km/h
	Maximum translation speed at height	1 km/h
N	Maximum pressure for wheel at full load*	3,45 kN
	Work cycles (with fresh batteries) **	100



* Maximum pressure whereas the weight of the platform plus the maximum load on the basket are completely distributed on one side of the platform (totally asymmetric load).

** By work cycle we mean a self-propelled movement of 20 m with a full ascent to and descent from the maximum height and with adjustment of the loading platform.

CE Complies with European regulations for man-up forklift trucks. UNI EN ISO 3691-1.

