

ELEVAH[®] 5B

Max. working height	5,15 m
Max capacity	200 kg
Number of people	1
Use	Internal
A Closed machine height	1690 mm
B Min. height from the ground*	290 mm
C Maximum platform height	3150 mm
D Base overall dimensions	980 mm
E	700 mm
F Cage dimensions	685 mm
G	600 mm
Machine weight	608 kg
Drive wheels dimension	Ø 160 x 50 mm
Swivel wheels dimensions	Ø 150 x 40 mm



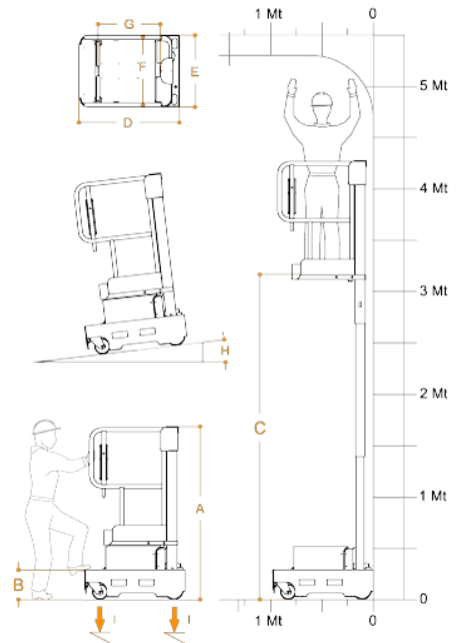
PERFORMANCE

Power supply	Electrical 24 V
Batteries	2 Trojan Lead-Acid 12V 105 Ah
Battery charger	110V – 220V 50/60HZ
H Maximum climbing ability	15%
Internal turning radius	0
Max. speed (rising – descending)	0,2 m/s
I Maximum pressure for wheel at full load**	2,85 kN
Work cycles (with fresh batteries) ***	100

* There is an intermediate step.

** Maximum pressure whereas the weight of the platform plus the maximum load on the basket are completely distributed on one side of the platform (totally asymmetric load).

*** By work cycle we mean a self-propelled movement of 20 m with a full ascent to and descent from the maximum height and with adjustment of the loading platform.



Compliant with **EN280** rule.
Approved for indoor use or outdoor use in the absence of wind.